



AR51-H

PLATE HEAT EXCHANGER FRAME



QUALITY

- + Manufactured to 3-A sanitary standards
- + Operating Pressure: 200 psig [14 bar]
- + Made in the USA

DEPENDABILITY

- + Traditional, hydraulic two spindle closure
- + Even closing, easy maintenance
- + 304 SS clad with sanitary bead blast finish and 316 SS wetted surfaces

EXPANDABILITY

- + Extended frame lengths for large plate packs
- + All eight ports supplied as standard for future duty expansions
- + Terminals available to safely separate multiple sections
- + 304 SS terminals with sanitary bead blast finish and 316 SS wetted surfaces

PLATES

- + Line-contact support points to increase the life of the plate
- + Increased entrance area cross-section to decrease pressure loss
- + Solid metal-to-metal contact to allow high operational pressures
- + Snap-in gasket

**BUILDING
THE BEST.
SERVICING
THE REST.**



WESTERN

3109 NE 230th Avenue
Fairview, OR 97024
+1.503.774.7342
+1.800.715.8820
FAX +1.503.774.2550

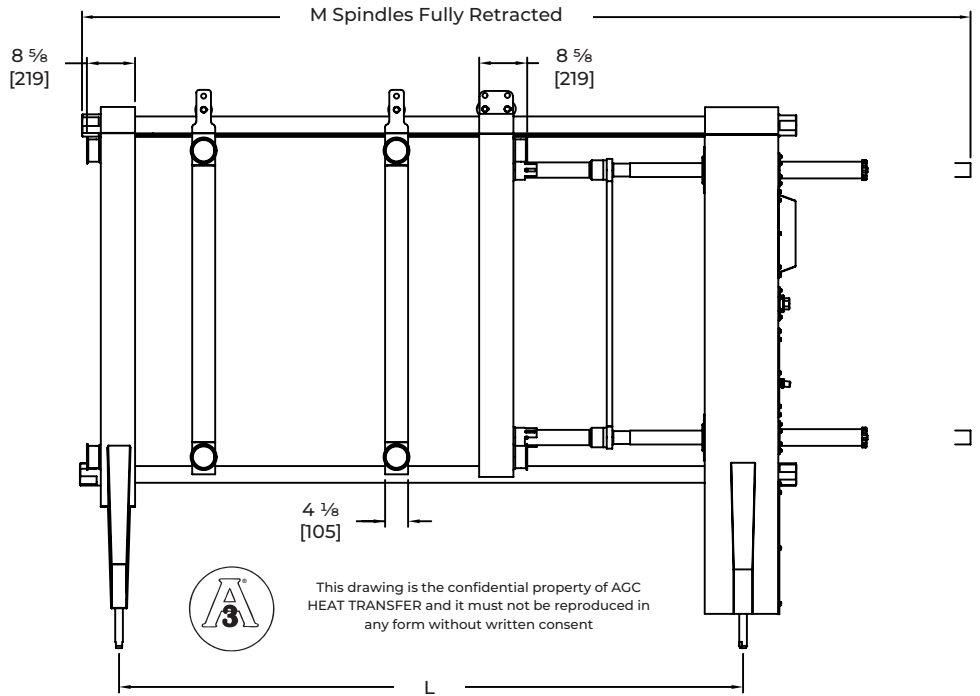
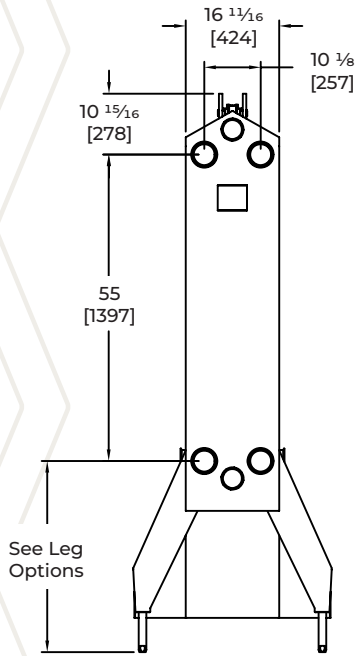
MIDWEST

8400 Lakeview Parkway
Suite 700
Pleasant Prairie, WI 53158
+1.847.301.6890
+1.888.489.8820

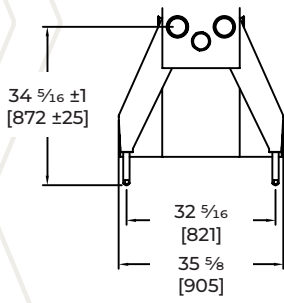
EASTERN

10129 Piper Lane
Bristow, VA 20136
+1.703.257.1660
+1.800.825.8820
FAX +1.703.330.7940

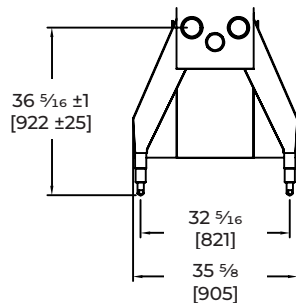
See us on the web at www.AGCHeatTransfer.com



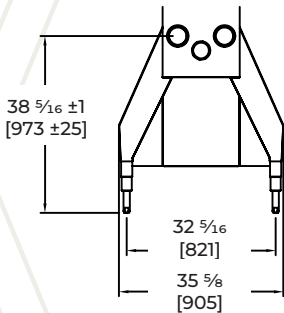
LEG OPTIONS



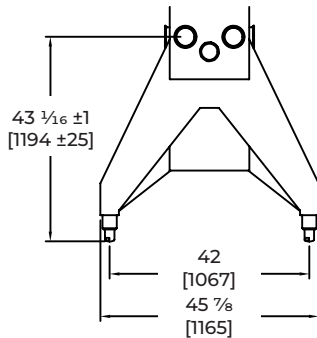
AR51-H-S2



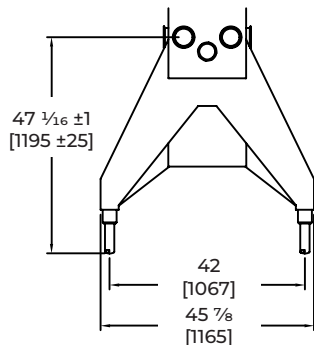
AR51-H-S3



AR51-H-S4



AR51-H-E1



AR51-H-E2

FRAME SIZE	BALL FOOT CENTER (L)	FULLY OPEN (M)
1	58 3/8" [1483]	93 3/8" [2372]
2	71 3/8" [1813]	106 3/8" [2702]
3	82 3/8" [2092]	117 3/8" [2981]
4	91 3/8" [2321]	126 3/8" [3210]
5	98 7/8" [2511]	133 7/8" [3400]
6	112 1/8" [2848]	147 1/8" [3737]
7	123 1/8" [3127]	170 1/8" [4321]
8	133 3/8" [3388]	180 3/8" [4582]
9	140 1/8" [3559]	187 1/8" [4753]
10	147 3/8" [3743]	194 3/8" [4937]
11	158 3/8" [4023]	205 3/8" [5217]
12	170 3/8" [4328]	217 3/8" [5521]
13	182 3/8" [4632]	229 3/8" [5826]

GENERAL INFORMATION		
	Pro5Snap™	Pro5Plus™
Plate & Gasket Weight		
316 SS	11.25 lbs / 5.10 kg	8 lbs / 3.62 kg
Alloy C-276	10.3 lbs / 4.67 kg	7.3 lbs / 3.31 kg
Plate Capacity	0.72 US Gallons / 2.72 l	0.45 US Gallons / 1.70 l
Heat Transfer Area	5.6 ft² / 0.52 m²	5.2 ft² / 0.48 m²
Plate Thickness		
316 SS	0.9 mm	0.7 mm
Alloy C-276	0.8 mm	0.6 mm
Frame Weight (according to size)	4190-4960 lbs / 1901-2250 kg	
Frame Connections	4" Sanitary Clamp	
Terminal Connections	4" Sanitary Clamp	
Terminal Weight	390 lbs / 177 kg	