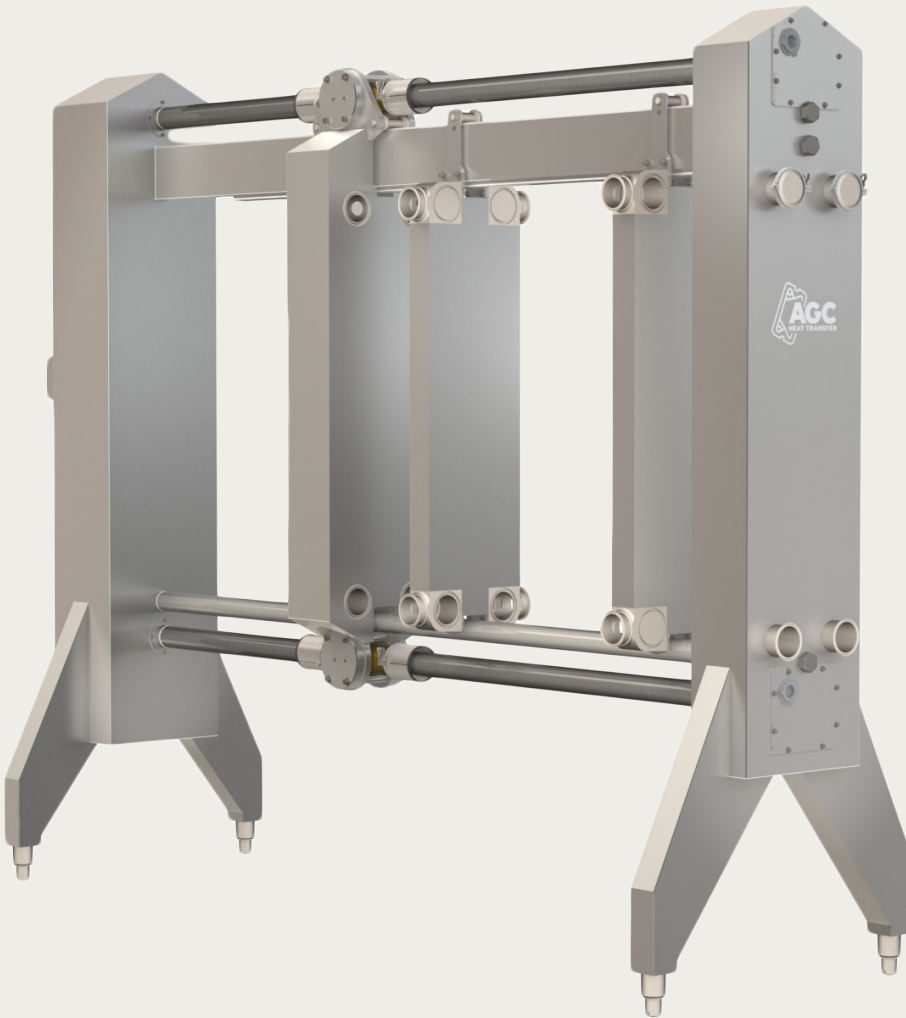




AR51-D

PLATE HEAT EXCHANGER FRAME



QUALITY

- + Manufactured to 3-A sanitary standards
- + Operating Pressure: 200 psig [14 bar]
- + Made in the USA

DEPENDABILITY

- + Hydraulic two spindle closure
- + Footprint remains unchanged from closed to fully open position
- + Even closing, easy maintenance
- + 304 SS clad with sanitary bead blast finish and 316 SS wetted surfaces

EXPANDABILITY

- + Extended frame lengths for extremely large plate packs
- + All eight ports supplied as standard for future duty expansions
- + Terminals available to safely separate multiple sections

PLATES

- + Line-contact support points to increase the life of the plate
- + Increased entrance area cross-section to decrease pressure loss
- + Solid metal-to-metal contact to allow high operational pressures
- + Snap-in gasket

**BUILDING
THE BEST.
SERVICING
THE REST.**



WESTERN

3109 NE 230th Avenue
Fairview, OR 97024
+1.503.774.7342
+1.800.715.8820
FAX +1.503.774.2550

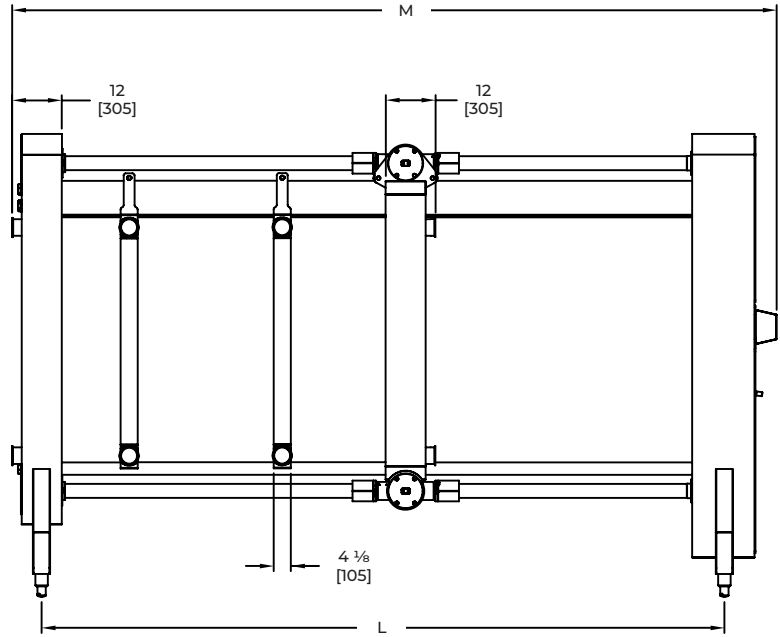
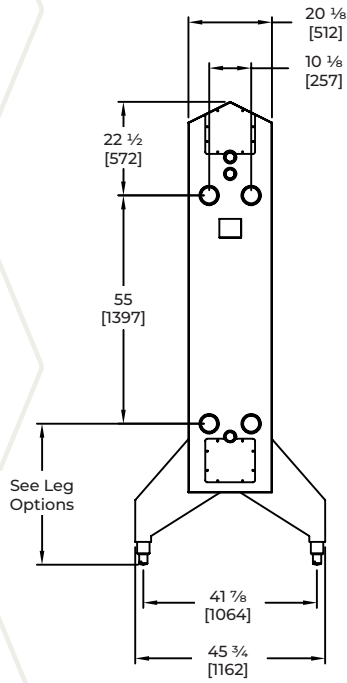
MIDWEST

8400 Lakeview Parkway
Suite 700
Pleasant Prairie, WI 53158
+1.847.301.6890
+1.888.489.8820

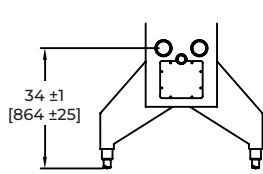
EASTERN

10129 Piper Lane
Bristow, VA 20136
+1.703.257.1660
+1.800.825.8820
FAX +1.703.330.7940

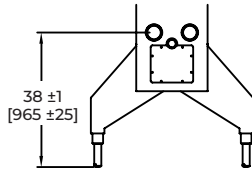
See us on the web at www.AGCHeatTransfer.com



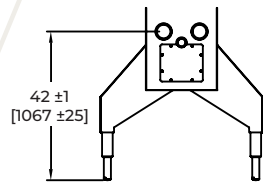
LEG OPTIONS



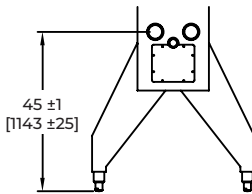
AR51-D-S2



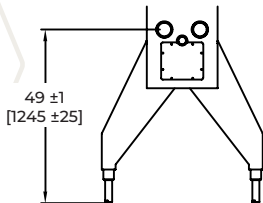
AR51-D-S3



AR51-D-S4



AR51-D-E1



AR51-D-E2

FRAME SIZE	Pro5Snap™ PLATE CAPACITY	Pro5Plus™ PLATE CAPACITY	BALL FOOT CENTER (L)	OVERALL LENGTH (M)
1	79	108	66-1/2" [1689]	86" [2184]
2	194	263	102-1/2" [2604]	122" [3099]
3	308	418	138-1/2" [3518]	158" [4013]
4	422	573	174-1/2" [4432]	194" [4928]
5	537	728	210-1/2" [5347]	230" [5842]
6	651	884	246-1/2" [6261]	266" [6756]
7	765	1039	282-1/2" [7176]	302" [7671]
8	879	1194	318-1/2" [8090]	338" [8585]

GENERAL INFORMATION

	Pro5Snap™	Pro5Plus™
Plate & Gasket Weight		
316 SS	11.25 lbs / 5.10 kg	8 lbs / 3.62 kg
Alloy C-276	10.3 lbs / 4.67 kg	7.3 lbs / 3.31 kg
Plate Capacity	0.72 US Gallons / 2.72 l	0.45 US Gallons / 1.70 l
Heat Transfer Area	5.6 ft ² / 0.52 m ²	5.2 ft ² / 0.48 m ²
Plate Thickness		
316 SS	0.9 mm	0.7 mm
Alloy C-276	0.8 mm	0.6 mm
Frame Weight (according to size)	6700 - 10200 lbs / 3039 - 4627 kg	
Frame Connections	4" Sanitary Clamp	
Terminal Connections	4" Sanitary Clamp	
Terminal Weight	390 lbs / 177 kg	
Motor Horsepower	10 hp/230 v/460 v/60 Hz	
Hydraulic Fluid (AW 46)	8 U.S. Gallons / 30.3l	