



PRO8-SA

PLATE HEAT EXCHANGER FRAME



QUALITY

- + Manufactured to 3-A sanitary standards
- + Made in the USA
- + Operating Pressure:
290 psi [20 bar] PED std.
200 psi [14 bar] ASME std.

DEPENDABILITY

- + Six tie-bolt closure
- + 304 SS clad with sanitary bead blast finish and 316 SS wetted surfaces

EXPANDABILITY

- + Removable ports - no welding required
- + Terminals available to safely separate multiple sections
- + 304 SS terminals with sanitary bead blast finish and 316 SS wetted surfaces

PLATES

- + Line-contact support points to increase the life of the plate
- + Increased entrance area cross-section to decrease pressure loss
- + Solid metal-to-metal contact to allow high operational pressures
- + Snap-in gasket

**BUILDING
THE BEST.
SERVICING
THE REST.**



WESTERN

3109 NE 230th Avenue
Fairview, OR 97024
+1.503.774.7342
+1.800.715.8820
FAX +1.503.774.2550

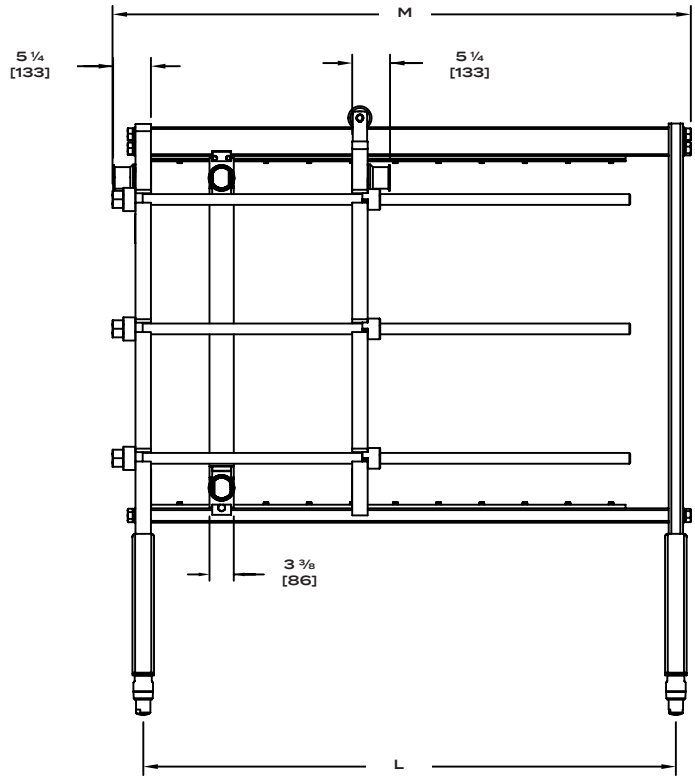
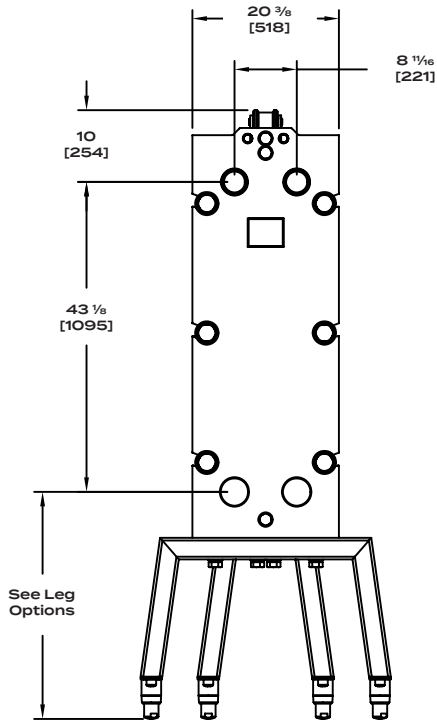
MIDWEST

8400 Lakeview Parkway
Suite 700
Pleasant Prairie, WI 53158
+1.847.301.6890
+1.888.489.8820

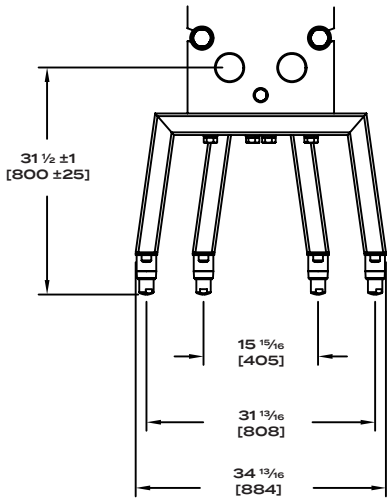
EASTERN

10129 Piper Lane
Bristow, VA 20136
+1.703.257.1660
+1.800.825.8820
FAX +1.703.330.7940

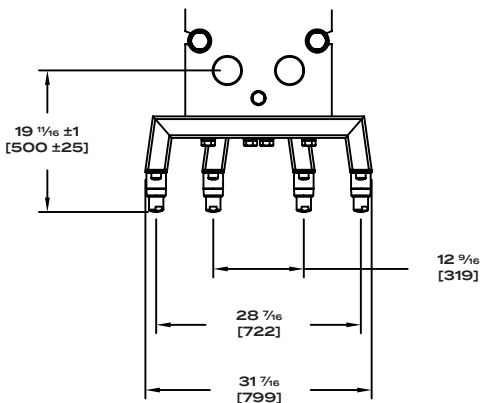
See us on the web at www.AGCHeatTransfer.com



LEG OPTIONS



PRO8-SA H LEG



PRO8-SA L LEG



© AGC Heat Transfer
Not to be reproduced without consent

FRAME SIZE	BALL FOOT CENTER (L)	OVERALL LENGTH (M)	Pro8™ PLATE CAPACITY
1	50" [1270]	56 3/8" [1432]	128
2	74" [1880]	80 3/8" [2042]	228
3	98" [2489]	104 3/8" [2651]	328
4	122" [3099]	128 3/8" [3261]	428
5	146" [3708]	152 3/8" [3870]	528

GENERAL INFORMATION	
Plate & Gasket Weight	316 SS: 5.7 lbs / 2.59 kg Alloy C-276: 5.6 lbs / 2.55 kg
Plate Capacity	0.38 US Gallons / 1.44 l
Heat Transfer Area	4.1 ft² / 0.38 m²
Plate Thickness	316 SS: 0.7mm Alloy C-276: 0.6mm
Frame Weight (according to size)	1,530 - 1,730 lbs / 695 - 786 kg
Frame Connections	3" Sanitary Clamp
Terminal Connections	3" Sanitary Clamp
Terminal Weight	220 lbs / 100 kg