



# PRO2-SA

## PLATE HEAT EXCHANGER FRAME



### QUALITY

- + Manufactured to 3-A sanitary standards
- + Made in the USA
- + Operating Pressure:  
290 psi [20 bar] PED std.  
200 psi [14 bar] ASME std.

### DEPENDABILITY

- + Six tie-bolt closure
- + 304 SS clad with sanitary bead blast finish and 316 SS wetted surfaces

### EXPANDABILITY

- + Removable ports - no welding required
- + Terminals available to safely separate multiple sections
- + 304 SS terminals with sanitary bead blast finish and 316 SS wetted surfaces

### PLATES

- + Line-contact support points to increase the life of the plate
- + Increased entrance area cross-section to decrease pressure loss
- + Solid metal-to-metal contact to allow high operational pressures
- + Snap-in gasket

**BUILDING  
THE BEST.  
SERVICING  
THE REST.**



#### WESTERN

3109 NE 230th Avenue  
Fairview, OR 97024  
+1.503.774.7342  
+1.800.715.8820  
FAX +1.503.774.2550

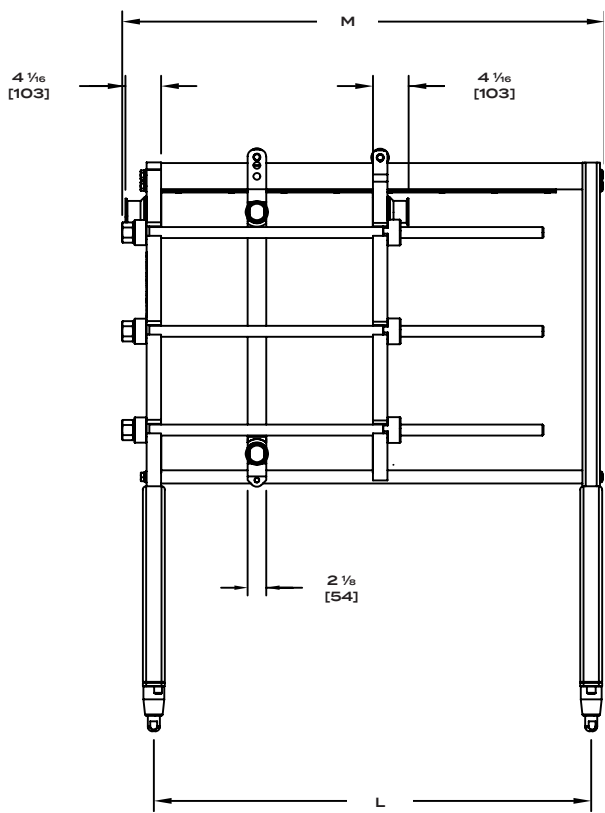
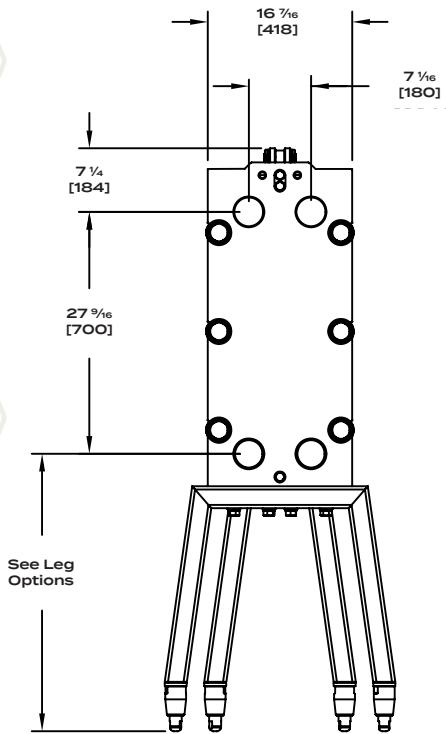
#### MIDWEST

8400 Lakeview Parkway  
Suite 700  
Pleasant Prairie, WI 53158  
+1.847.301.6890  
+1.888.489.8820

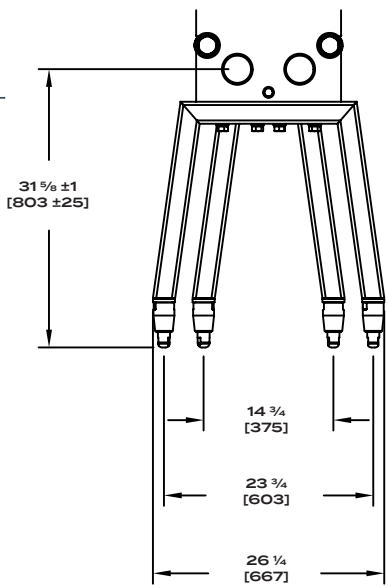
#### EASTERN

10129 Piper Lane  
Bristow, VA 20136  
+1.703.257.1660  
+1.800.825.8820  
FAX +1.703.330.7940

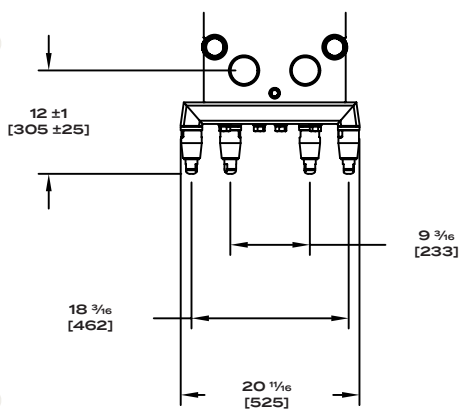
See us on the web at [www.AGCHeatTransfer.com](http://www.AGCHeatTransfer.com)



**LEG OPTIONS**



**PRO2-SA H LEG**



**PRO2-SA L LEG**



© AGC Heat Transfer  
Not to be reproduced without consent

FRAME SIZE	BALL FOOT CENTER (L)	OVERALL LENGTH (M)	Pro2™ PLATE CAPACITY	Pro2Plus™ PLATE CAPACITY
2	25 13/16" [656]	31" [787]	45	67
3	37 13/16" [960]	43" [1092]	97	143
4	49 13/16" [1265]	55" [1397]	149	220
5	61 13/16" [1570]	67" [1702]	200	296
6	73 13/16" [1875]	79" [2007]	252	373
7	85 13/16" [2180]	91" [2311]	304	449

GENERAL INFORMATION		
	Pro2™	Pro2Plus™
Plate & Gasket Weight		
316 SS	3.5 lbs / 1.59 kg	2.6 lbs / 1.18 kg
Alloy C-276	3.2 lbs / 1.45 kg	
Plate Capacity	0.16 US Gallons / 0.61 l	0.12 US Gallons / 0.45 l
Heat Transfer Area	1.87 ft² / 0.17 m²	1.87 ft² / 0.17 m²
Plate Thickness		
316 SS	0.7 mm	0.6 mm
Alloy C-276	0.6 mm	
Frame Weight (according to size)	701 - 803 lbs / 318 - 364 kg	
Frame Connections	2 1/2" Sanitary Clamp	
Terminal Connections	2" Sanitary Clamp	
Terminal Weight	95 lbs / 43 kg	