



# PRO5-SA

PLATE HEAT EXCHANGER FRAME



## QUALITY

- + Manufactured to 3-A sanitary standards
- + Made in the USA
- + Operating Pressure:  
250 psi [17 bar] PED std.  
200 psi [14 bar] ASME std.

## DEPENDABILITY

- + Six tie-bolt closure
- + 304 SS clad with sanitary bead blast finish and 316 SS wetted surfaces

## EXPANDABILITY

- + Removable ports - no welding required
- + Terminals available to safely separate multiple sections
- + 304 SS terminals with sanitary bead blast finish and 316 SS wetted surfaces

## PLATES

- + Line-contact support points to increase the life of the plate
- + Increased entrance area cross-section to decrease pressure loss
- + Solid metal-to-metal contact to allow high operational pressures
- + Snap-in gasket

**BUILDING  
THE BEST.  
SERVICING  
THE REST.**



### WESTERN

3109 NE 230th Avenue  
Fairview, OR 97024  
+1.503.774.7342  
+1.800.715.8820  
FAX +1.503.774.2550

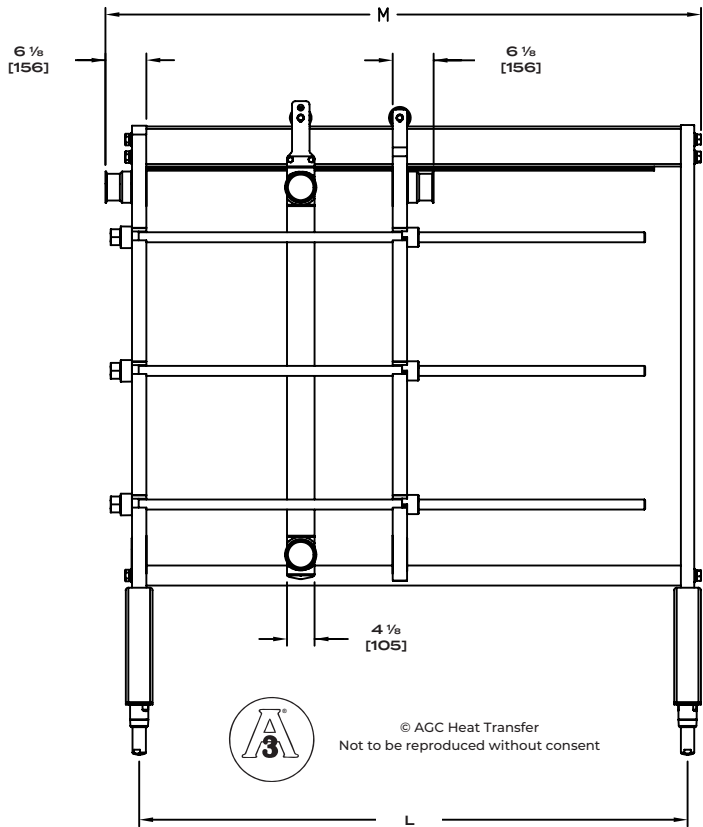
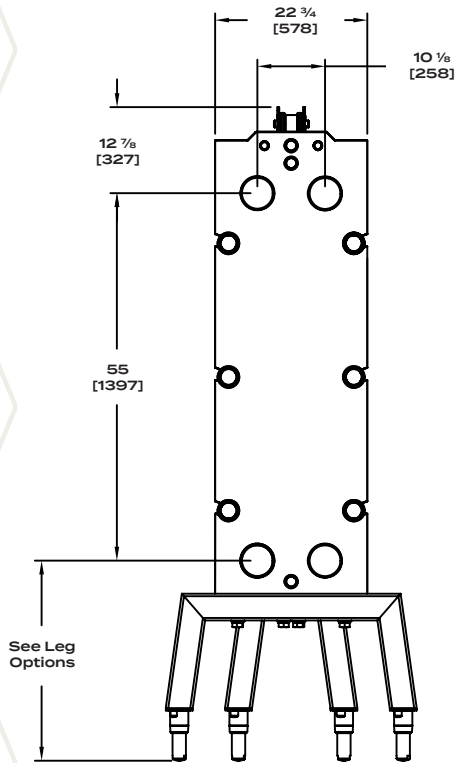
### MIDWEST

8400 Lakeview Parkway  
Suite 700  
Pleasant Prairie, WI 53158  
+1.847.301.6890  
+1.888.489.8820

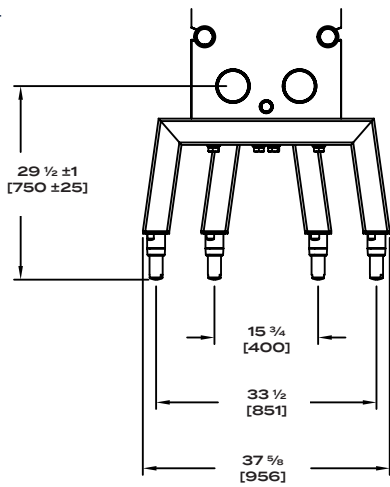
### EASTERN

10129 Piper Lane  
Bristow, VA 20136  
+1.703.257.1660  
+1.800.825.8820  
FAX +1.703.330.7940

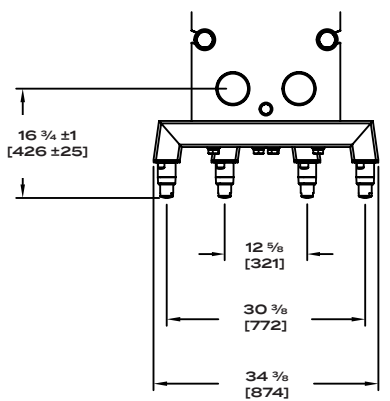
See us on the web at [www.AGCHeatTransfer.com](http://www.AGCHeatTransfer.com)



**LEG OPTIONS**



**PRO5-SA H LEG**



**PRO5-SA L LEG**

FRAME SIZE	BALL FOOT CENTER (L)	OVERALL LENGTH (M)	Pro5Snap™ PLATE CAPACITY	Pro5Plus™ PLATE CAPACITY
1	38" [965]	45" [1143]	59	80
2	57" [1448]	64" [1626]	119	162
3	82" [2083]	89" [2261]	199	270
4	97" [2464]	104" [2642]	246	334
5	118" [2997]	125" [3175]	313	425
6	142" [3607]	149" [3785]	389	528

**GENERAL INFORMATION**

	Pro5Snap™	Pro5Plus™
Plate & Gasket Weight		
316 SS	11.25 lbs / 5.10 kg	8 lbs / 3.62 kg
Alloy C-276	10.3 lbs / 4.67 kg	7.3 lbs / 3.31 kg
Plate Capacity	0.72 US Gallons / 2.72 l	0.45 US Gallons / 1.70 l
Heat Transfer Area	5.6 ft <sup>2</sup> / 0.52 m <sup>2</sup>	5.6 ft <sup>2</sup> / 0.48 m <sup>2</sup>
Plate Thickness		
316 SS	0.9 mm	0.7 mm
Alloy C-276	0.8 mm	0.6 mm
Frame Weight (according to size)	2,140 - 2,520 lbs / 973 - 1,146 kg	
Frame Connections	4" Sanitary Clamp	
Terminal Connections	4" Sanitary Clamp	
Terminal Weight	390 lbs / 177 kg	